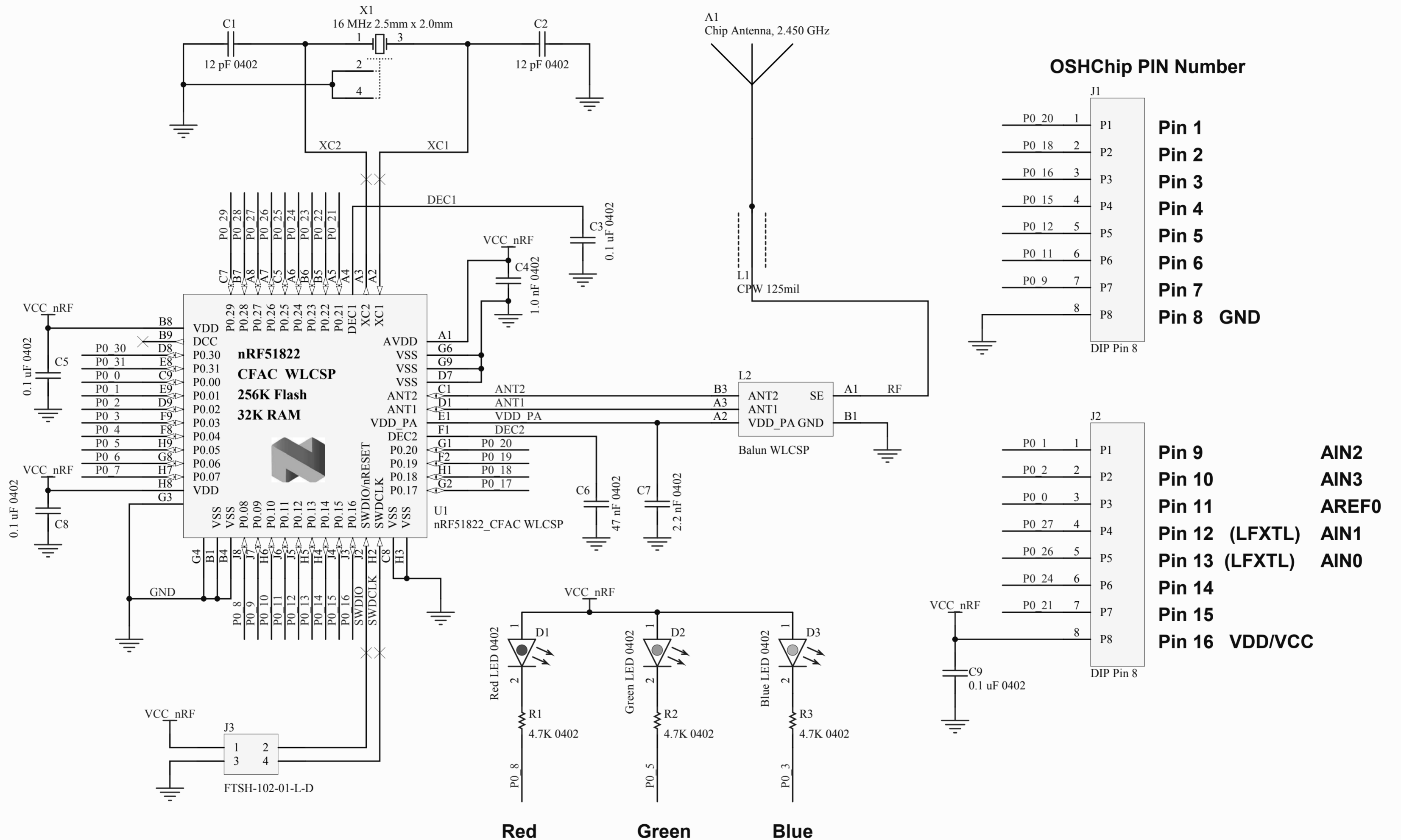


OSHChip V1.0

Unused I/O bits: 4,6,7,10,13,14,17,19,22,23,25,28,29,30



OSHChip PIN Number

P0 20	1	P1
P0 18	2	P2
P0 16	3	P3
P0 15	4	P4
P0 12	5	P5
P0 11	6	P6
P0 9	7	P7
	8	P8

DIP Pin 8

- Pin 1**
- Pin 2**
- Pin 3**
- Pin 4**
- Pin 5**
- Pin 6**
- Pin 7**
- Pin 8 GND**

P0 1	1	P1
P0 2	2	P2
P0 0	3	P3
P0 27	4	P4
P0 26	5	P5
P0 24	6	P6
P0 21	7	P7
	8	P8

DIP Pin 8

- Pin 9 AIN2**
- Pin 10 AIN3**
- Pin 11 AREF0**
- Pin 12 (LFXTL) AIN1**
- Pin 13 (LFXTL) AIN0**
- Pin 14**
- Pin 15**
- Pin 16 VDD/VCC**

Print with Smart PDF, then scale and select paper in PDF reader, and print there.

Size: A	Number: *	Revision: *	* * * *
Date: 7/8/2015	Time: 2:24:29 AM	Sheet * of *	Fliptronics
File: D:\Fliptronics_Altium_Projects\OSHChip\OSHChip_V1.0\OSHChip_V1.0.SchDoc			